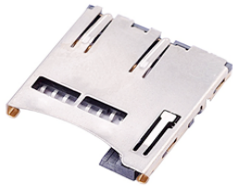




LTEM NO.: TF-001B (Consumer Electronics)

(15.3L × 14.0W × 1.9H & T-Flash Sockets)

MEMORY-CARD-SOCKETS



Technical parameter

表面贴装 SMT

側向導入 LATERAL

精密部品 NICETY

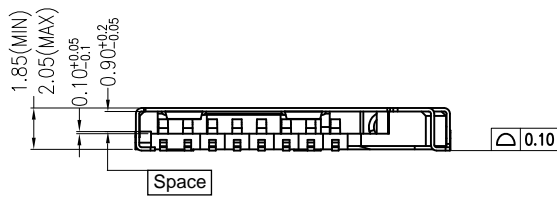
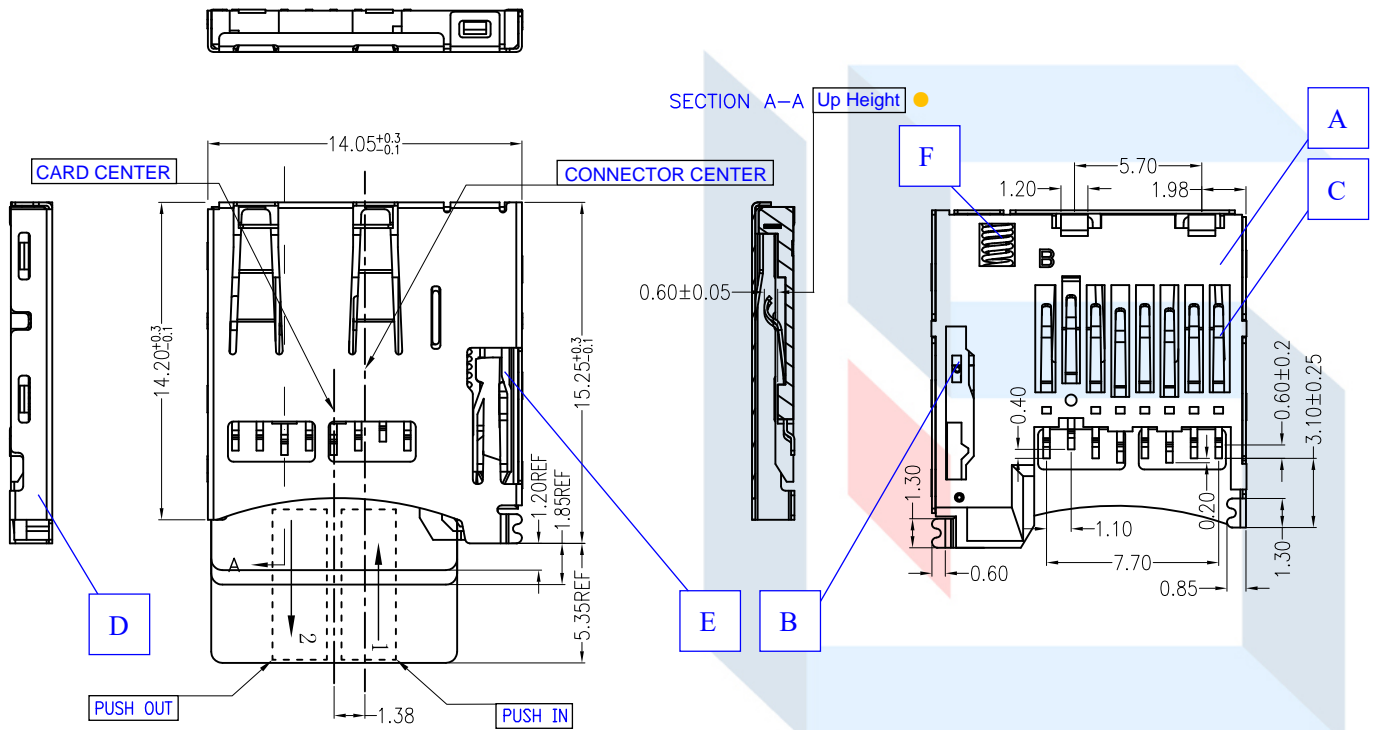
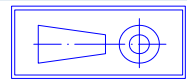
可靠 STABILIZE

適合環保 RoHS

PROJECT	LEVEL	A[better product]	B[average product]
		Electrical Properties	Initial Contact Resistance
Durable Performance	Contact Rating	25mA, 24V DC	
	Insulation Resistance	100MΩ min. 500V DC	
	Withstand Voltage	500V AC for 1 minute	350 V AC for 1 minut
	There No Load	6,500 Cycles	5,500 Cycles
	Rated Load	5,500 Cycles	4,000 Cycles
	Storage temp.	-35℃~+85℃(Operating Temp:)	

Page1

Unit:mm



Material declaration			
No.	NAME	MATERIAL	PLATING
① A	基座	LCP 30%G/F (Black)耐热塑胶	-
② B	滑块	PA6T 30%G/F (Black)耐热尼龙	SET
③ C	接触端子	C5191R-H (t=0.15mm)磷青铜【鍍 30u" 基鍍金 1u"】	G/F
④ D	外壳	SUS301-3/4H(t=0.15mm)不锈钢【焊点鍍金 1u"】	G/F
⑤ E	线簧	象唛钢线 OD=0.21mm	-
⑥ F	弹簧	SUS304(t=0.30mm)不锈钢	-



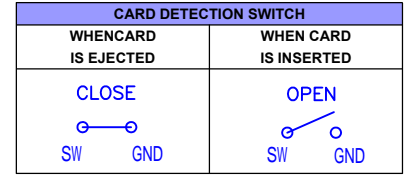
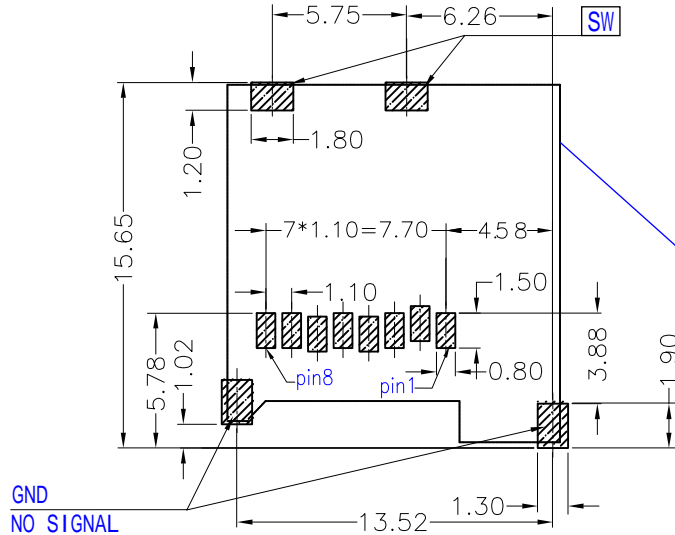
Operating Force

Inward
Exiting

8.0~12.0N. (1N.=100gram-force)
6.0N. (1N.=100gram-force)

Solder-ability (Max.)

IR Reflow: 250°C, 5sec. Manual: 350°C, 3sec.



Product Out-Line

GND
NO SIGNAL

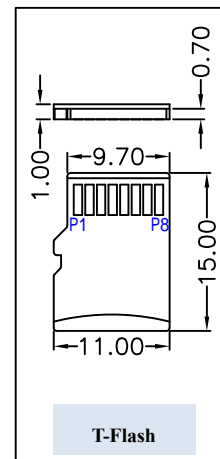
DECIMALS	ANGLES
X :±0.25	X° :±3°
X.X :±0.20	X.X° :±1°
X.XX :±0.15	X.XX° :±0.5°

Pin definition



T-Flash CARD

Pin No.	Pin NAME	Type	Description
PIN①	DAT2	I/O/PP	Date Line[Bit 2]
PIN②	CD/DAT3	I/O/PP	Card Detect Date Lin(Bit 3)
PIN③	CMD	PP	Command Response
PIN④	VDD	S	Supply voltage
PIN⑤	CLX	I	Clock
PIN⑥	Vss	S	Supply voltage ground
PIN⑦	DAT 0	I/O/PP	Date Line [Bit 0]
PIN⑧	DAT 1	I/O/PP	Date Line [Dit 1]



T-Flash



本品不屬於危害性廢棄物,須丟棄時可以委託回收商予以回收再生處理。Products do not belong to hazardous waste,When waste can recycling processing

運送時本產品不要直接與水、酸鹼性化學物質接觸,或放置於含有以上氣體環境中,並且需要注意會有滑落、側翻的危險發生;運輸過程中不能有碰撞或者擠壓,須保證溫度與濕度適中[常溫 25°C,濕度在 50°C 以內],不可導致材料變形或氧化。

注記 NOTICE

1. 碩方公司擁有最終解釋權; The SOFNG company reserves the right of final interpretation;
2. 文件禁止外洩、轉載; Leaked and reproduced prohibited;
3. 未經授權修改無效。Modify is invalid.

单击下面可查看定价，库存，交付和生命周期等信息

[>>SOFNG\(硕方\)](#)